

nahm

ORBIT



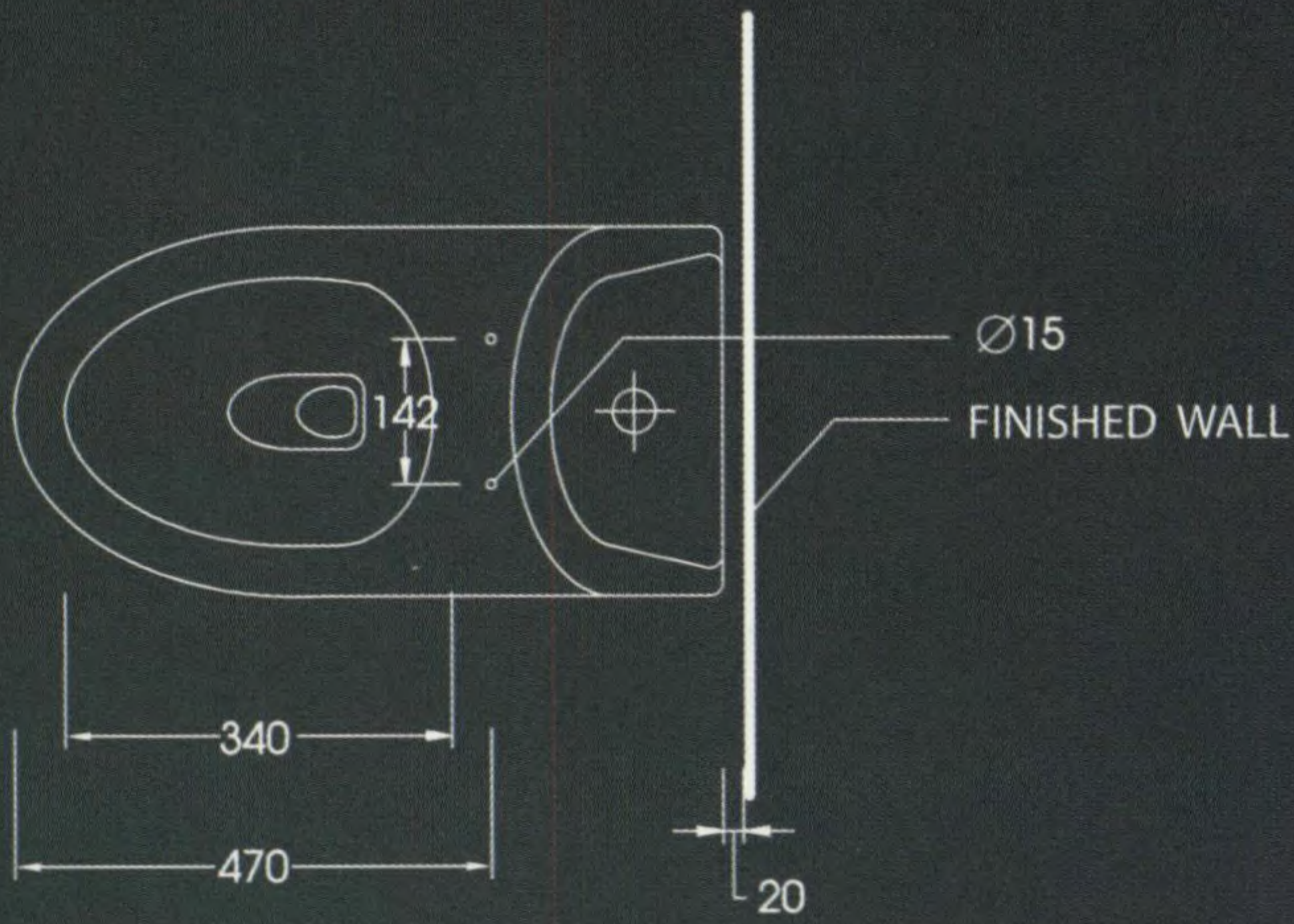
GENUINE DESIGN SANITARYWARE

NM-2500-S

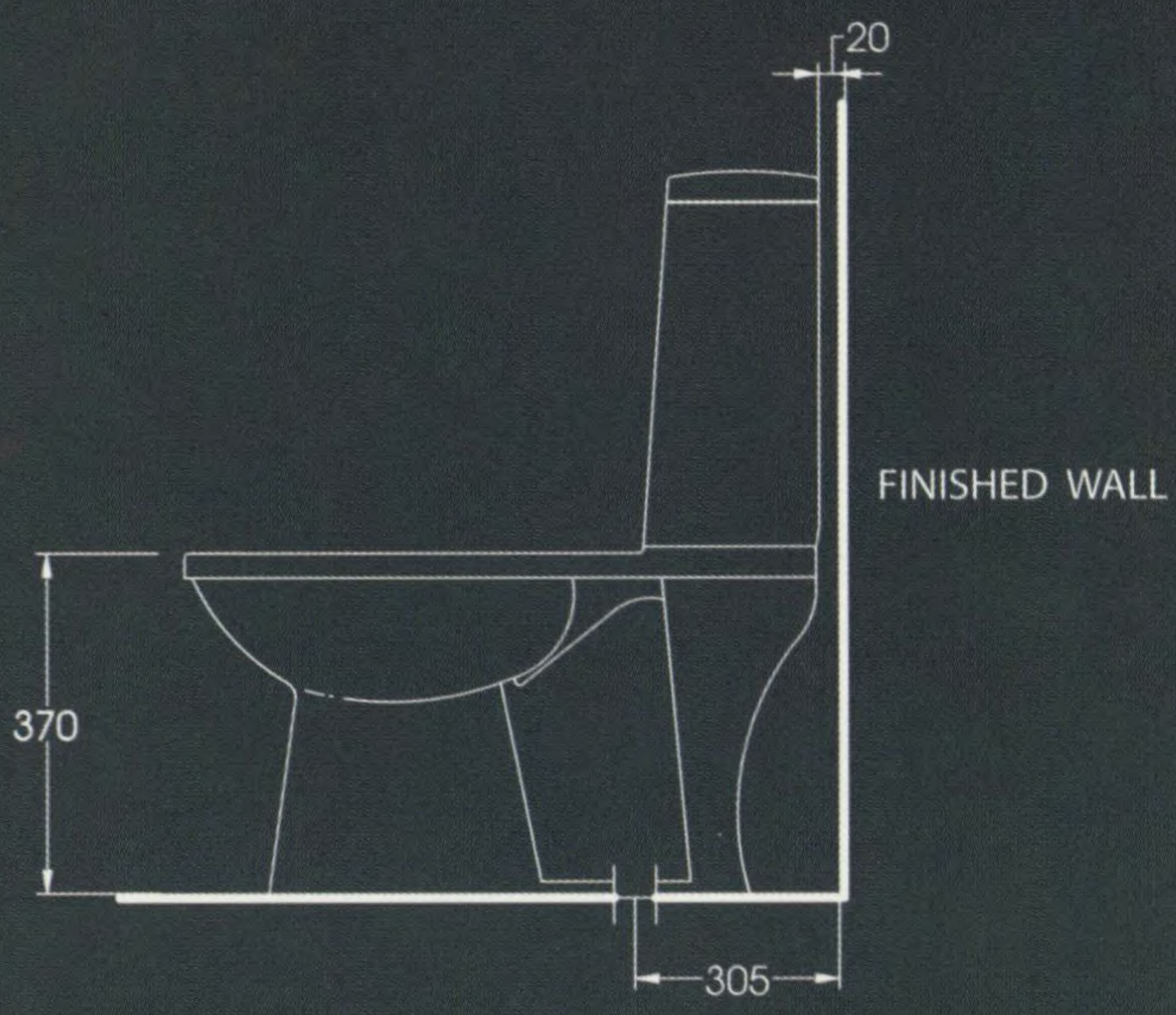
DIMENSION

NM-2500-S

nahm



TOP VIEW



SIDE VIEW



FRONT VIEW



JMI-Laufen Sanitaryware Limited nahm

5/227 Chamnan Phenjati Business Center Bldg., 1 st Flr , Rama 9 Rd ,
Luaykwang, Bkk, 10310 Thailand Tel: [662] 643-1571-9 Fax: [662] 643-1570

ORBIT WC. two pieces

(ประหยัดน้ำ 6 ลิตร)

10 years WARRANTY UMI-LAUFEN